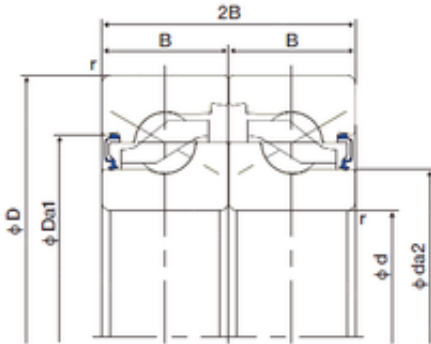




## Tnb industrial Partners Manufacturing...

### 30 mm x 62 mm x 15 mm NACHI 30TAB06DF-2LR Cojinetes De Bola

Bearing No. 30TAB06DF-2LR



30TAB06DF-2LR Bearing 2D drawings and 3D CAD models

Size	30x62x15 mm
Bore Diameter	30 mm
Outer Diameter	62 mm
Width	15 mm
d	30 mm
D	62 mm
B	15 mm
C	15 mm
Angle ( ° )	60 °
d1	39.7 mm
d2	46.2 mm
r min.	1 mm
r1 min.	0.6 mm
2B	30 mm
D1	47.5 mm
D2	54.9 mm
Weight	0.21 Kg
Basic dynamic load rating (C)	29,9 kN
Basic static load rating (C0)	46,4 kN
Enclosure	Double Seal
Bore Type	Cylindrical Bore
Configuration	Double Row
Bore Size	30 mm
Outside Diameter	62 mm
Width	15 mm



## Tnb industrial Partners Manufacturing...

Fillet Radius/Chamfer	1 mm
r1	0.6 mm
Dynamic Load Rating	6,700 N
Static Load Rating	10,400 N
Da1	47.5 mm
Da2	54.9 mm
da1	46.2 mm
da2	39.7 mm